

## LUDE TRANSMISSION

LD Series Double Clevis Jack

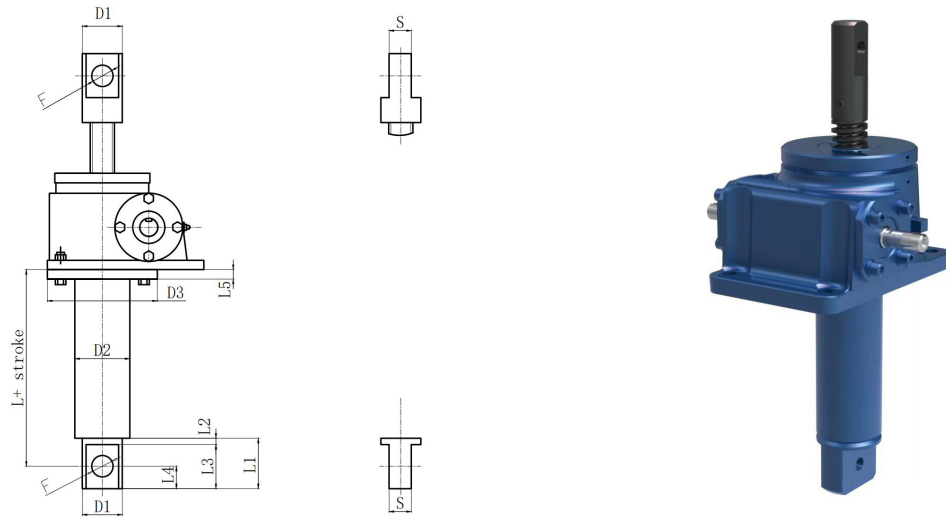


**LINEAR MOTION**



**LINEAR MOTION**

Translating screw jack can be equipped with pro tilting device. The right rocking tilting device is based on a high thickness pipe that can withstand screw jack max load capacity and also be a rigid protection for Acme lead screws on ball screws. If screw jack's stroke are very long, please get it touch with our engineering dept to avoid unpredictable pipe bending.



screw diameter×lead	Tr20×4	Tr30×6	Tr40×7	Tr50×8	Tr60×9	Tr80×12
ØD1	38	48	68	88	88	118
ØD2	45	60	85	105	105	133
ØD3	76	110	150	150	150	200
ØF H8	20	25	35	50	50	60
L	90	115	145	180	180	215
L1	55	70	95	140	140	175
L2	15	20	25	40	40	45
L3	40	50	70	100	100	130
L4	20	25	35	50	50	65
L5	15	20	20	20	20	25
S	25	30	40	60	60	80

Please contact LUDE transmission for more details.